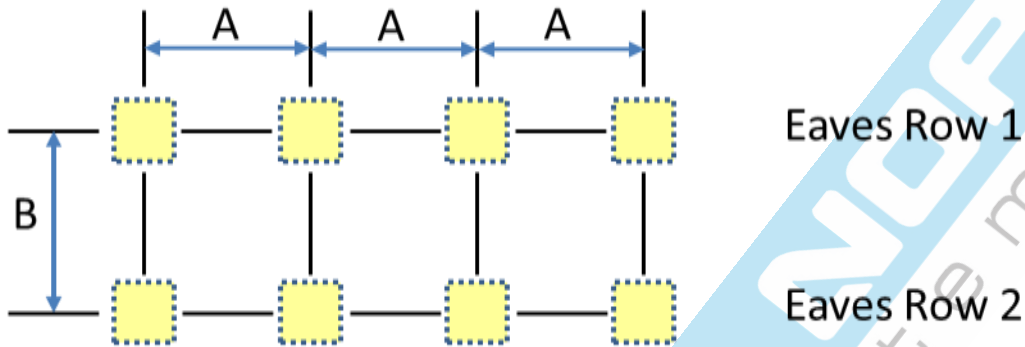


Setting Out Foundation Holes



Canopy Dimensions	Dimension A (Supporting Post Centres)	Dimension B (Supporting Post Centres)	Qty. of Foundation Holes
4.2m W x 3.5m P	2,062mm	3,575mm	6
5.2m W x 3.5m P	2,562mm	3,575mm	6
6.3m W x 3.5m P	2,075mm	3,575mm	8
7.4m W x 3.5m P	2,442mm	3,575mm	8
4.2m W x 4.0m P	2,062mm	4,075mm	6
5.2m W x 4.0m P	2,562mm	4,075mm	6
6.3m W x 4.0m P	2,075mm	4,075mm	8
7.4m W x 4.0m P	2,442mm	4,075mm	8
8.4m W x 4.0m P	2,775mm	4,075mm	8