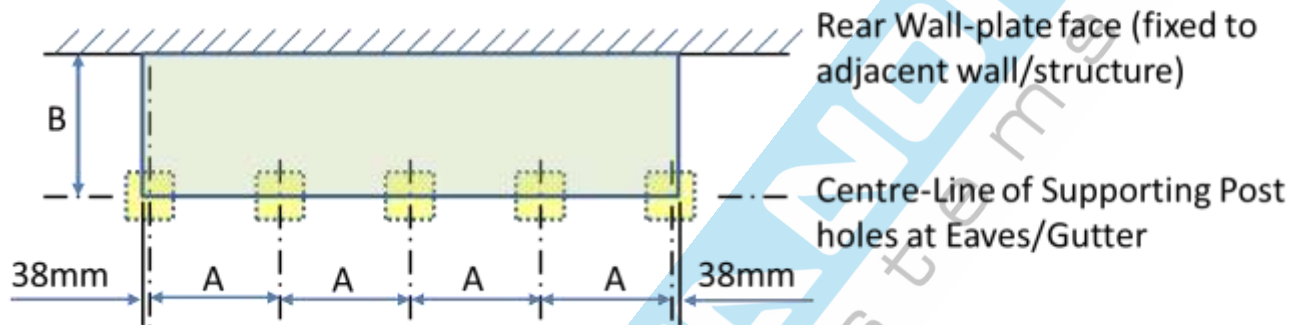


**Setting Out Foundation Holes for Standard Range of Glass Clear Canopies**

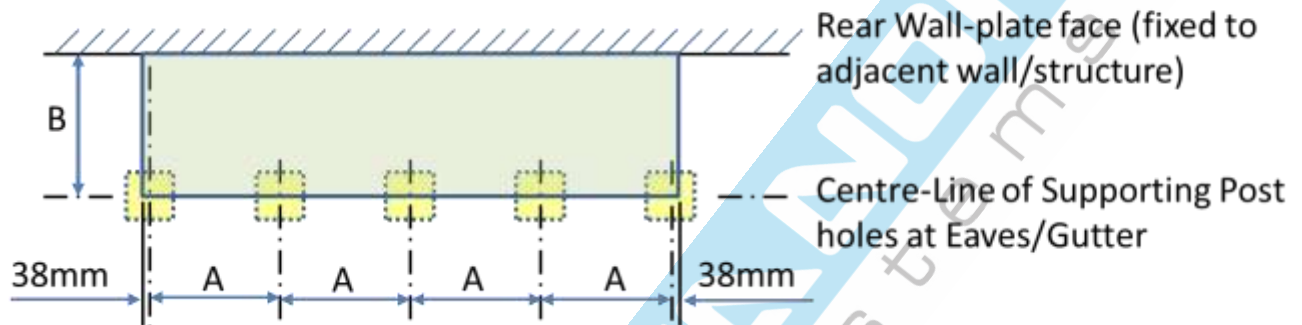
**PLAN VIEW (from above canopy)**



Canopy Size	Dim. A (Suppt.ing Post Hole Centres)	Dim. B (Suppt. Pst. Centres) @ 5 degrees	Dim. B (Suppt. Pst. Centres) @ 10 degrees	Dim. B (Suppt. Pst. Centres) @ 15 degrees	Dim. B (Suppt. Pst. Centres) @ 20 degrees	Qty. Found.n Holes
2.1m W x 1.5m P	2,025mm	1,538mm	<b>1,528mm</b>	1,498mm	1,458mm	2
2.8m W x 1.5m P	2,725mm	1,538mm	<b>1,528mm</b>	1,498mm	1,458mm	2
3.5m W x 1.5m P	1,712mm	1,538mm	<b>1,528mm</b>	1,498mm	1,458mm	3
4.2m W x 1.5m P	2,062mm	1,538mm	<b>1,528mm</b>	1,498mm	1,458mm	3
4.9m W x 1.5m P	2,412mm	1,538mm	<b>1,528mm</b>	1,498mm	1,458mm	3
5.6m W x 1.5m P	2,762mm	1,538mm	<b>1,528mm</b>	1,498mm	1,458mm	3
6.3m W x 1.5m P	2,075mm	1,538mm	<b>1,528mm</b>	1,498mm	1,458mm	4
7.0m W x 1.5m P	2,308mm	1,538mm	<b>1,528mm</b>	1,498mm	1,458mm	4
7.7m W x 1.5m P	2,541mm	1,538mm	<b>1,528mm</b>	1,498mm	1,458mm	4
8.4m W x 1.5m P	2,775mm	1,538mm	<b>1,528mm</b>	1,498mm	1,458mm	4
9.1m W x 1.5m P	3,008mm	1,538mm	<b>1,528mm</b>	1,498mm	1,458mm	4
9.8m W x 1.5m P	2,431mm	1,538mm	<b>1,528mm</b>	1,498mm	1,458mm	5
10.5m W x 1.5m P	2,606mm	1,538mm	<b>1,528mm</b>	1,498mm	1,458mm	5
2.1m W x 2.0m P	2,025mm	2,038mm	<b>2,018mm</b>	1,978mm	1,928mm	2
2.8m W x 2.0m P	2,725mm	2,038mm	<b>2,018mm</b>	1,978mm	1,928mm	2
3.5m W x 2.0m P	1,712mm	2,038mm	<b>2,018mm</b>	1,978mm	1,928mm	3
4.2m W x 2.0m P	2,062mm	2,038mm	<b>2,018mm</b>	1,978mm	1,928mm	3
4.9m W x 2.0m P	2,412mm	2,038mm	<b>2,018mm</b>	1,978mm	1,928mm	3
5.6m W x 2.0m P	2,762mm	2,038mm	<b>2,018mm</b>	1,978mm	1,928mm	3
6.3m W x 2.0m P	2,075mm	2,038mm	<b>2,018mm</b>	1,978mm	1,928mm	4
7.0m W x 2.0m P	2,308mm	2,038mm	<b>2,018mm</b>	1,978mm	1,928mm	4
7.7m W x 2.0m P	2,541mm	2,038mm	<b>2,018mm</b>	1,978mm	1,928mm	4
8.4m W x 2.0m P	2,775mm	2,038mm	<b>2,018mm</b>	1,978mm	1,928mm	4
9.1m W x 2.0m P	3,008mm	2,038mm	<b>2,018mm</b>	1,978mm	1,928mm	4
9.8m W x 2.0m P	2,431mm	2,038mm	<b>2,018mm</b>	1,978mm	1,928mm	5
10.5m W x 2.0m P	2,606mm	2,038mm	<b>2,018mm</b>	1,978mm	1,928mm	5

**Setting Out Foundation Holes for Standard Range of Glass Clear Canopies**

**PLAN VIEW (from above canopy)**



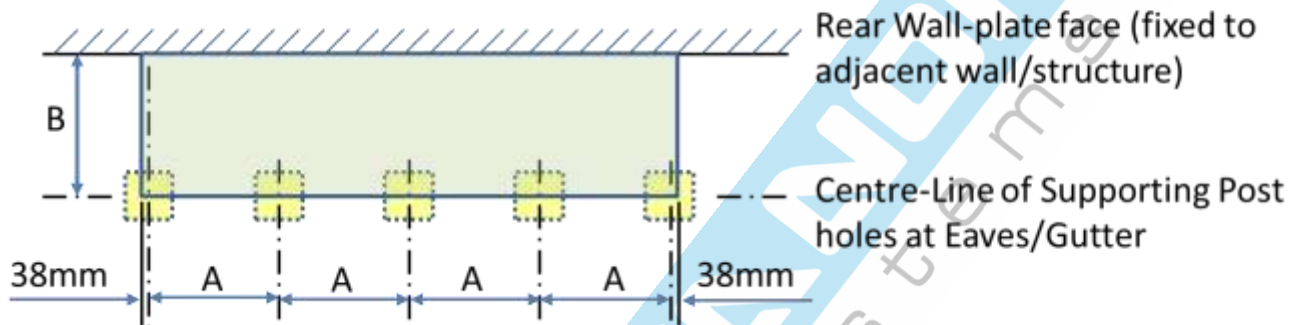
Canopy Size	Dim. A (Supp.ing Post Hole Centres)	Dim. B (Suppt. Pst. Centres) @ 5 degrees	Dim. B (Suppt. Pst. Centres) @ 10 degrees	Dim. B (Suppt. Pst. Centres) @ 15 degrees	Dim. B (Suppt. Pst. Centres) @ 20 degrees	Qty. Found.n Holes
2.1m W x 2.5m P	2,025mm	2,538mm	<b>2,508mm</b>	2,458mm	2,398mm	2
2.8m W x 2.5m P	2,725mm	2,538mm	<b>2,508mm</b>	2,458mm	2,398mm	2
3.5m W x 2.5m P	1,712mm	2,538mm	<b>2,508mm</b>	2,458mm	2,398mm	3
4.2m W x 2.5m P	2,062mm	2,538mm	<b>2,508mm</b>	2,458mm	2,398mm	3
4.9m W x 2.5m P	2,412mm	2,538mm	<b>2,508mm</b>	2,458mm	2,398mm	3
5.6m W x 2.5m P	2,762mm	2,538mm	<b>2,508mm</b>	2,458mm	2,398mm	3
6.3m W x 2.5m P	2,075mm	2,538mm	<b>2,508mm</b>	2,458mm	2,398mm	4
7.0m W x 2.5m P	2,308mm	2,538mm	<b>2,508mm</b>	2,458mm	2,398mm	4
7.7m W x 1.5m P	2,541mm	2,538mm	<b>2,508mm</b>	2,458mm	2,398mm	4
8.4m W x 1.5m P	2,775mm	2,538mm	<b>2,508mm</b>	2,458mm	2,398mm	4
9.1m W x 1.5m P	3,008mm	2,538mm	<b>2,508mm</b>	2,458mm	2,398mm	4
9.8m W x 1.5m P	2,431mm	2,538mm	<b>2,508mm</b>	2,458mm	2,398mm	5
10.5m W x 1.5m P	2,606mm	2,538mm	<b>2,508mm</b>	2,458mm	2,398mm	5
2.1m W x 3.0m P	2,025mm	3,038mm	<b>2,998mm</b>	2,948mm	2,868mm	2
2.8m W x 3.0m P	2,725mm	3,038mm	<b>2,998mm</b>	2,948mm	2,868mm	2
3.5m W x 3.0m P	1,712mm	3,038mm	<b>2,998mm</b>	2,948mm	2,868mm	3
4.2m W x 3.0m P	2,062mm	3,038mm	<b>2,998mm</b>	2,948mm	2,868mm	3
4.9m W x 3.0m P	2,412mm	3,038mm	<b>2,998mm</b>	2,948mm	2,868mm	3
5.6m W x 3.0m P	2,762mm	3,038mm	<b>2,998mm</b>	2,948mm	2,868mm	3
6.3m W x 3.0m P	2,075mm	3,038mm	<b>2,998mm</b>	2,948mm	2,868mm	4
7.0m W x 3.0m P	2,308mm	3,038mm	<b>2,998mm</b>	2,948mm	2,868mm	4
7.7m W x 1.5m P	2,541mm	3,038mm	<b>2,998mm</b>	2,948mm	2,868mm	4
8.4m W x 1.5m P	2,775mm	3,038mm	<b>2,998mm</b>	2,948mm	2,868mm	4
9.1m W x 1.5m P	3,008mm	3,038mm	<b>2,998mm</b>	2,948mm	2,868mm	4
9.8m W x 1.5m P	2,431mm	3,038mm	<b>2,998mm</b>	2,948mm	2,868mm	5
10.5m W x 1.5m P	2,606mm	3,038mm	<b>2,998mm</b>	2,948mm	2,868mm	5

Document: Foundation Holes – Standard Glass Clear Canopy Range  
 Guide No: 017  
 Description: Omega Lean-To Canopy

Page 3 of 3

**Setting Out Foundation Holes for Standard Range of Glass Clear Canopies**

**PLAN VIEW (from above canopy)**



Canopy Size	Dim. A (Supp.ting Post Hole Centres)	Dim. B (Suppt. Pst. Centres) @ 5 degrees	Dim. B (Suppt. Pst. Centres) @ 10 degrees	Dim. B (Suppt. Pst. Centres) @ 15 degrees	Dim. B (Suppt. Pst. Centres) @ 20 degrees	Qty. Found.n Holes
2.1m W x 3.5m P	2,025mm	3,538mm	<b>3,498mm</b>	3,428mm	3,338mm	2
2.8m W x 3.5m P	2,725mm	3,538mm	<b>3,498mm</b>	3,428mm	3,338mm	2
3.5m W x 3.5m P	1,712mm	3,538mm	<b>3,498mm</b>	3,428mm	3,338mm	3
4.2m W x 3.5m P	2,062mm	3,538mm	<b>3,498mm</b>	3,428mm	3,338mm	3
4.9m W x 3.5m P	2,412mm	3,538mm	<b>3,498mm</b>	3,428mm	3,338mm	3
5.6m W x 3.5m P	2,762mm	3,538mm	<b>3,498mm</b>	3,428mm	3,338mm	3
6.3m W x 3.5m P	2,075mm	3,538mm	<b>3,498mm</b>	3,428mm	3,338mm	4
7.0m W x 3.5m P	2,308mm	3,538mm	<b>3,498mm</b>	3,428mm	3,338mm	4
7.7m W x 3.5m P	2,541mm	3,538mm	<b>3,498mm</b>	3,428mm	3,338mm	4
8.4m W x 3.5m P	2,775mm	3,538mm	<b>3,498mm</b>	3,428mm	3,338mm	4
9.1m W x 3.5m P	3,008mm	3,538mm	<b>3,498mm</b>	3,428mm	3,338mm	4
9.8m W x 3.5m P	2,431mm	3,538mm	<b>3,498mm</b>	3,428mm	3,338mm	5
10.5m W x 3.5m P	2,606mm	3,538mm	<b>3,498mm</b>	3,428mm	3,338mm	5
3.1m W x 4.0m P	3,025mm	4,028mm	<b>3,988mm</b>	3,908mm	3,808mm	2
4.2m W x 4.0m P	2,062mm	4,028mm	<b>3,988mm</b>	3,908mm	3,808mm	3
5.2m W x 4.0m P	2,562mm	4,028mm	<b>3,988mm</b>	3,908mm	3,808mm	3
6.3m W x 4.0m P	2,075mm	4,028mm	<b>3,988mm</b>	3,908mm	3,808mm	4
7.4m W x 4.0m P	2,441mm	4,028mm	<b>3,988mm</b>	3,908mm	3,808mm	4
8.4m W x 4.0m P	2,775mm	4,028mm	<b>3,988mm</b>	3,908mm	3,808mm	4
9.0m W x 4.0m P	2,975mm	4,028mm	<b>3,988mm</b>	3,908mm	3,808mm	4
9.4m W x 4.0m P	2,331mm	4,028mm	<b>3,988mm</b>	3,908mm	3,808mm	5
10.0m W x 4.0m P	2,481mm	4,028mm	<b>3,988mm</b>	3,908mm	3,808mm	5